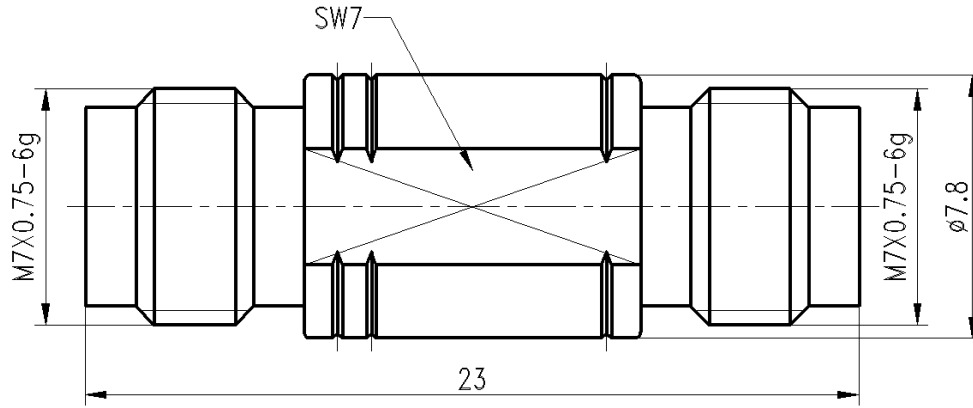




1.85mm Female to 2.4mm Female, DC-50GHz, Adapter

Dimensions(mm) Tolerance $\pm 1\%$



Electrical & Environmental

Frequency Range	DC-50GHz	Impedance	50 ohm
VSWR	1.15 max	Insertion Loss	0.25dB max $\leq 0.05\sqrt{f(\text{GHz})}$ dB

Mechanical & Product Information

Product Number	GPADP18F24F-50	Connector	1.85mm Female to 2.4mm Female
Connector Body	Passivated stainless steel 316F	Shape/Mounting	Straight, None
Center Contact	1.27 μ m gold plated beryllium copper	Insulator	PEI
Dimension	23(L)*7.8(ϕ)mm	Net Weight	About 5.3g