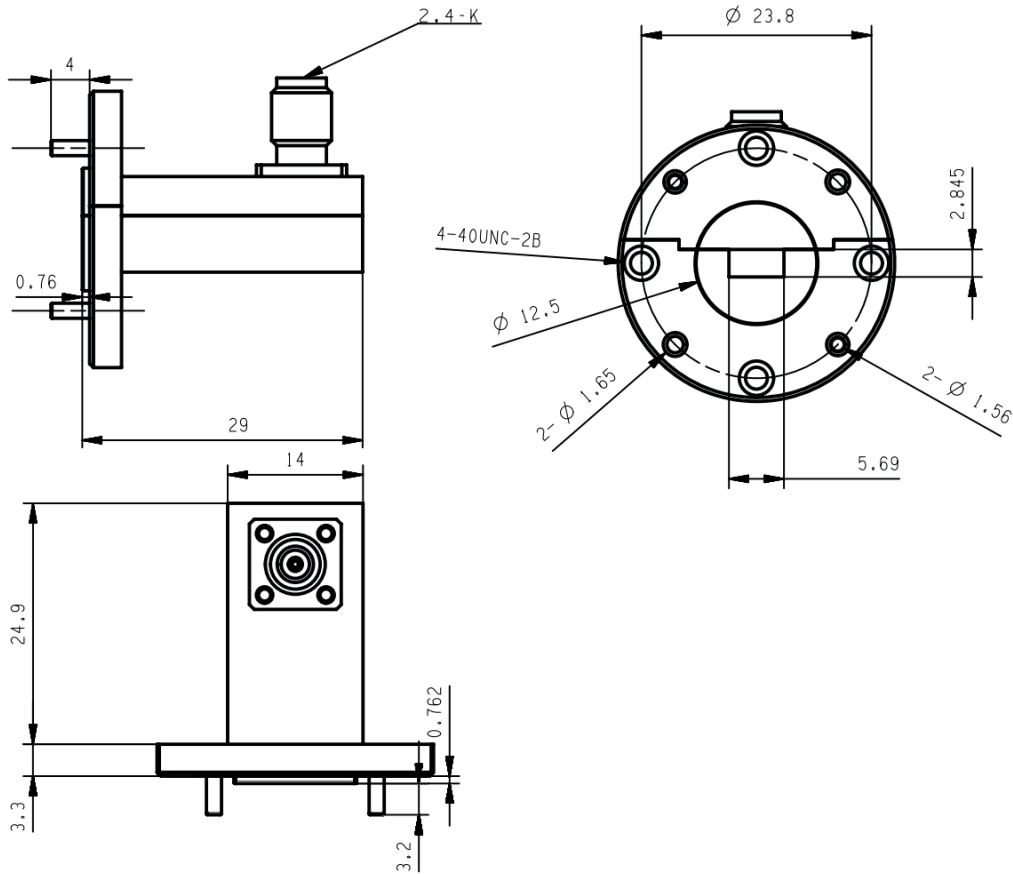




Right Angle Waveguide to Coaxial Adapter, 32.9-50.1GHz, WR22 to 2.4mm Female, Flange

Dimensions(mm) Tolerance \pm 1%



Electrical & Environmental

Frequency Range	32.9-50.1GHz	VSWR	1.25 Max
Input Avg Power	10W @25°C	Insertion Loss	0 0.3 dB Max

Mechanical & Product Information

Product Number	GPWGWR2224FRA-1K	Body Geometry	Right Angle
Waveguide Body	Copper, gold plated	Waveguide	WR22, UG-383/U Flange
Connector Body	Passivated stainless steel	Coax Connector	2.4mm Female
Center Contact	Gold plated beryllium copper		
Operating Temp	-40°C to 70°C	Net Weight	About 44.5g