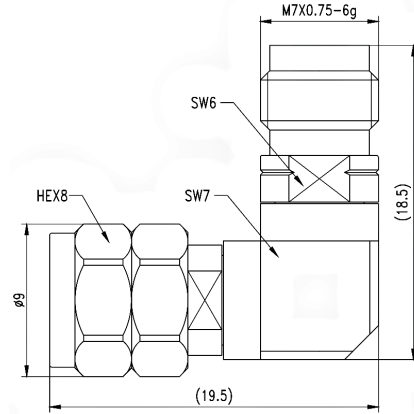




## 2.4mm Male to 2.4mm Female, Right Angle, DC-50GHz

Dimensions(mm) Tolerance±1%



### Electrical & Environmental

<b>Frequency Range</b>	DC-50GHz	<b>Impedance</b>	50 ohm
<b>VSWR</b>	1.25 max	<b>Insertion Loss</b>	0.45dB max $\leq 0.08\sqrt{f(\text{GHz})}$ dB

### Mechanical & Product Information

<b>Product Number</b>	GPADP24M24FRA-50	<b>Connector</b>	2.4mm Male to 2.4mm Female
<b>Connector Body</b>	Passivated stainless steel 316F	<b>Shape/Mounting</b>	Right Angle, None
<b>Center Contact</b>	1.27 $\mu$ m BeCu/Brass,Gold plating	<b>Insulator</b>	PTFE&PEI
<b>Dimension</b>	19.5(L)*18.5(W)*9( $\phi$ )mm	<b>Net Weight</b>	-