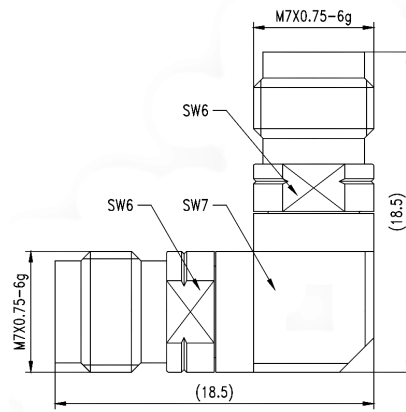




2.4mm Female to 2.4mm Female, Right Angle, DC-50GHz

Dimensions(mm) Tolerance \pm 1%



Electrical & Environmental

Frequency Range	DC-50GHz	Impedance	50 ohm
VSWR	1.25 max	Insertion Loss	0.45dB max $\leq 0.08\sqrt{f(\text{GHz})}$ dB

Mechanical & Product Information

Product Number	GPADP24F24FRA-50	Connector	2.4mm Female to 2.4mm Female
Connector Body	Passivated stainless steel 316F	Shape/Mounting	Right Angle, None
Center Contact	1.27 μ m BeCu/Brass,Gold plating	Insulator	PTFE&PEI
Dimension	18.5(L)*18.5(W)mm	Net Weight	-