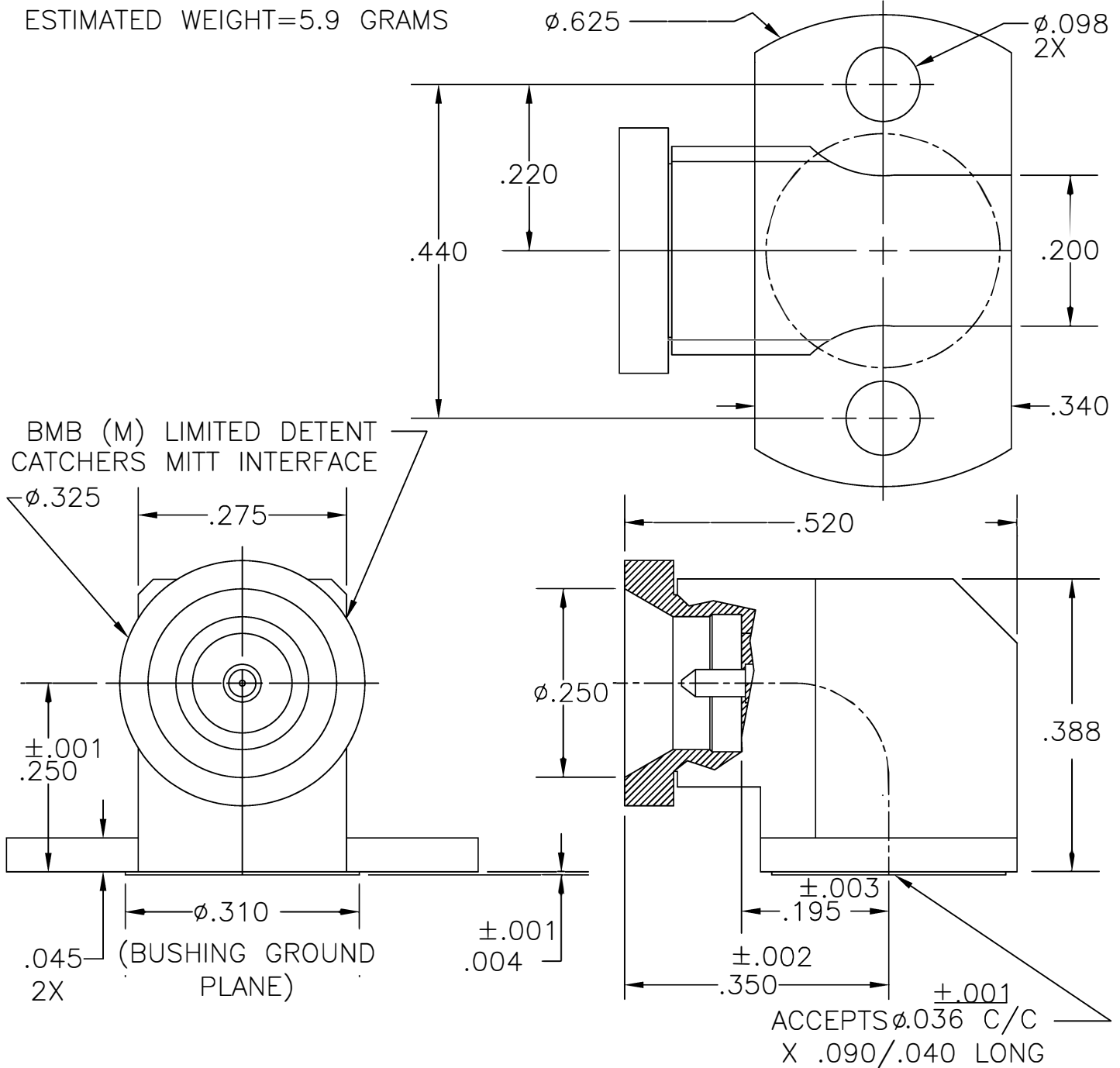


| COMPONENT | MATERIAL AND FINISH | |
|----------------|--|---|
| BODY & BUSHING | 303 CRES, ASTM A582 | PASSIVATE, AMS-QQ-P-35 |
| INSULATORS | PTFE, ASTM D1710, TYPE I, GRADE 1, CLASS A | |
| CONTACT | BeCu, ASTM B196, UNS C17300 | GOLD PLATE, MIL-G-45204, TYPE 1, GRADE C, CLASS 1 |

PART NO. MBMB-6472

OUTLINE DRAWING



GigaPhase, Inc.

CAGE CODE
15907

ASSY PROCEDURES: N/A

NOTES: (UNLESS OTHERWISE SPECIFIED) DEFAULTS
 $.xxx \pm .005$, $.xx \pm .01$
 $\leq \pm 5^\circ$
 MACHINED SURFACES \checkmark 63/
 BREAK EDGES $.005$ MAX
 FILLET R.005 MAX
 $\odot .003$ T.I.R.

MBMB, (P), LDCM, R/A
 FLANGE MOUNT TO $\phi.036$ C/C

PART NO.

GPSMCBMBM-20

REVISION

B

SHEET 1 OF 1 | OL6472 3-22-00 PC