

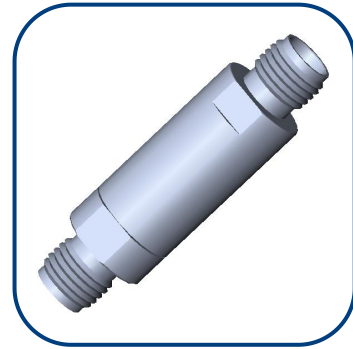


Part No: GPDCB35F35F-26

5MHz-26.5GHz, 50V, 3.5mm Female to Female DC Block

Electrical:

Frequency:	5MHz-26.5GHz
Insertion Loss:	0.6 dB Max
VSWR:	1.25 Max
DC Voltage:	50 Volts
Impedance:	50 Ohms



Mechanic

Operating Temperature:	-55 ~ +165°C
Storage Temperature:	-55 ~ +165°C
Body Material:	Standard Steel 303 BeCu,
Center Conductor:	Golden
Connectors:	3.55 mm Female to Female
Relative Humidity:	0 ~ 90%

Outline Drawing:

Unit: mm (inches)

