



**Part No: GPDCB24M24F-50**

5MHz-50GHz, 60V, 2.4mm Male-Female DC Block

### Electrical:

Frequency:	5MHz-50GHz
Insertion Loss:	0.5 dB Max
VSWR:	1.3 Max
DC Voltage:	60 Volts
Impedance:	50 Ohms

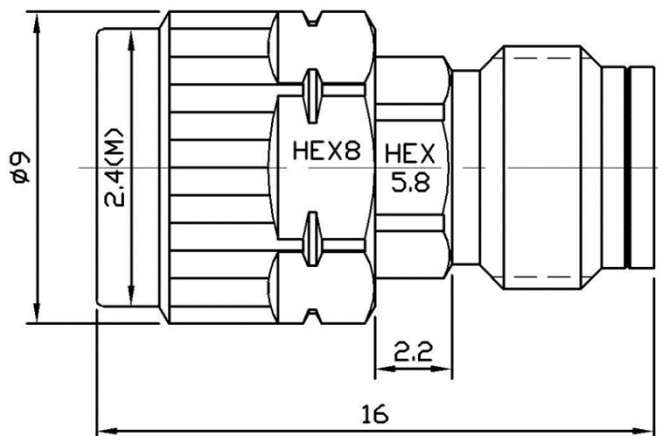


### Mechanical:

Operation Temperature:	-55~+165°C
Storage Temperature:	-55~+165°C
Body Material:	Stainless Steel 303
Center conductor:	BeCu, Golden
Connectors:	2.4mm Male to Female
Relative Humidity:	0 ~ 90%

### Outline Drawing:

Unit: mm



# Test Curve

