



Part No: GPDCB24F24F-50

5MHz-50GHz, 60V, 2.4mm Female to Female DC Block

Electrical:

Frequency:	5MHz-50GHz
Insertion Loss:	0.5 dB Max
VSWR:	1.3 Max
DC Voltage:	60 Volts
Impedance:	50 Ohms

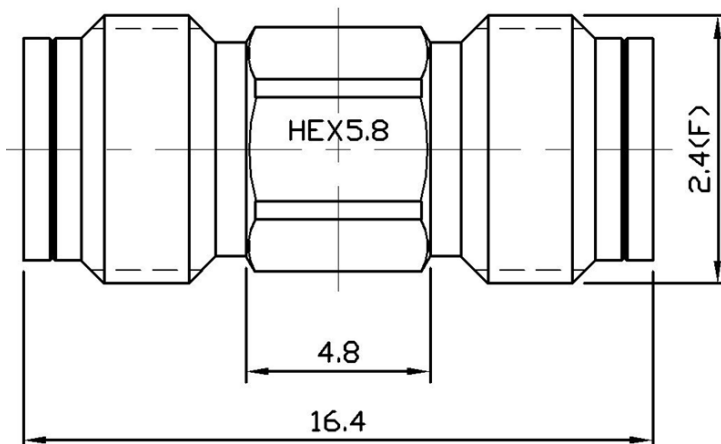


Mechanical:

Operation Temperature:	-55 ~ +165°C
Storage Temperature:	-55 ~ +165°C
Body Material:	Stainless Steel 303
Center conductor:	BeCu, Golden
Connectors:	2.4mm Female to Female
Relative Humidity:	0 ~ 90%

Outline Drawing:

Unit: mm



Test Curve

