



Part No: GPDCB18M18M-67

5MHz-67GHz, 60V, 1.85mm Male-Male DC Block

Electrical:

Frequency:	5MHz-67GHz
Insertion Loss:	0.7 dB Max
VSWR:	1.3 Max
DC Voltage:	60 Volts
Impedance:	50 Ohms

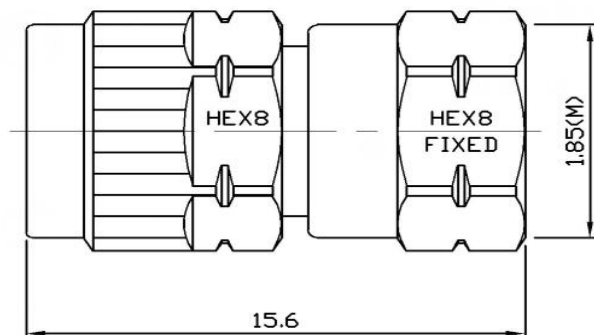


Mechanical:

Operation Temperature:	-55~+165°C
Storage Temperature:	-55~+165°C
Body Material:	Stainless Steel 303
Center conductor:	BeCu, Golden
Connectors:	1.85mm Male to Male
Relative Humidity:	0 ~ 90%

Outline Drawing:

Unit: mm



Test Curve

