



SP3T to SP6T Electromechanical Switch

Normally Open , DC to 40 GHz, 2.92mm, TTL, Indicators,D-SUB

Electrical Characteristics:

Parameter	Value
Frequency Range	DC-40 GHz
RF Impedance	50 Ohms
Operation Mode	Normally Open
TTL Voltage	0-0.8 V(OFF)2.4-5 V(ON)
Switch Sequence	Break before make
Switching time	15 ms Max
Standard Actuator Life	2 million Min
Actuator Voltage Available	12 24 28 V
Actuator current	285 150 140 mA
Indicator Specifications	Max withstand voltage: 60V Max current capacity: 100mA Max "ON" resistance: 16Ω



RF Specifications:

Frequency (GHz)	DC-6	6-12	12-18	18-26.5	26.5-40
Insertion Loss (dB max.)	0.3	0.4	0.5	0.8	1.0
Isolation (dB min.)	70	60	60	50	50
VSWR (max.)	1.3:1	1.4:1	1.5:1	1.9:1	2.0:1
RF Power CW (Watts max.)	80	50	45	15	8

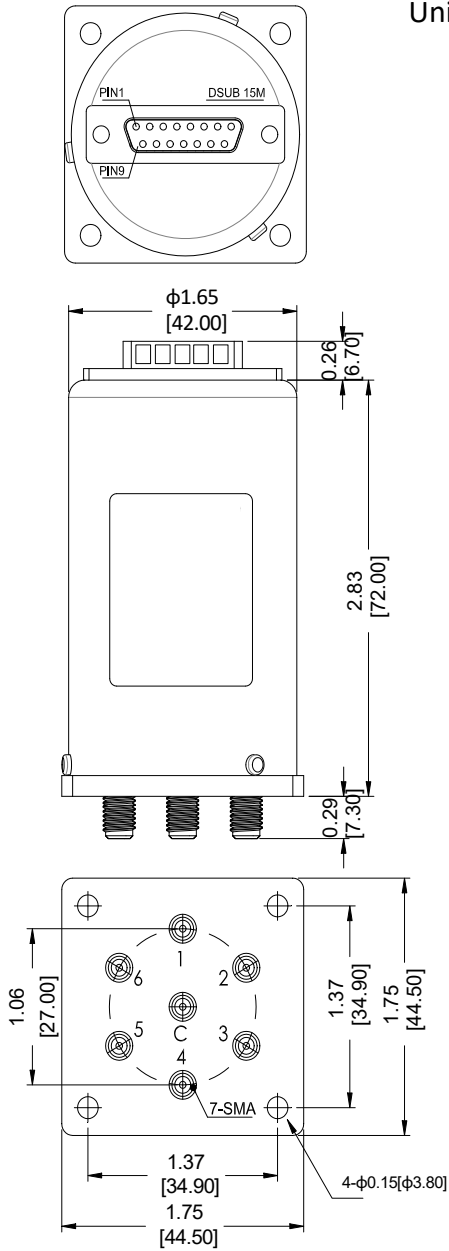
Environmental And Physical Characteristics:

Parameter	Value
Operating Temperature	-25°C to +65°C (Standard) -55°C to +85°C (Optional)
Vibration (operating)	10G RMS, 20-2000Hz
Shock (non operating)	50G, 1/2Sine, 12msec
Connector Type	2.92mm Female
Control Connector	D-SUB 15 PIN Male
Weight	285g Max

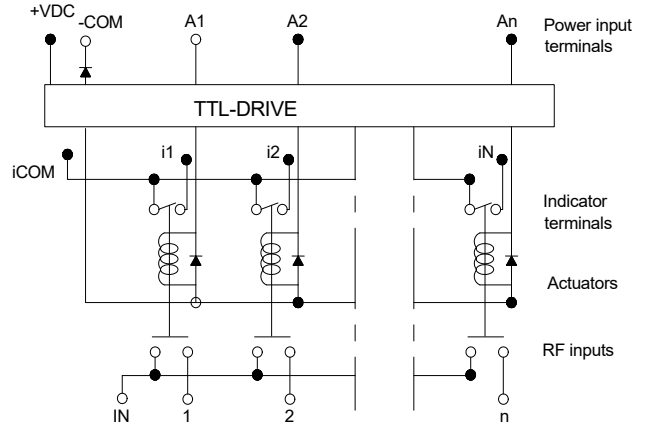


Outline Drawing:

Unit: Inch (mm)



Schematic:



Pin NO	FUNCTION	RF Connect Used			
		SP3T	SP4T	SP5T	SP6T
1	A1	1	1	1	1
2	A2		2	2	2
3	A3	3		3	3
4	A4			4	4
5	A5	5	4	5	5
6	A6		5		6
7	-COM				
8	IND1	1	1	1	1
9	IND2			2	2
10	IND3	3	2	3	3
11	IND4			4	4
12	IND5	5	4	5	5
13	IND6				6
14	IND COM		5		
15	+VDC/VDCI				

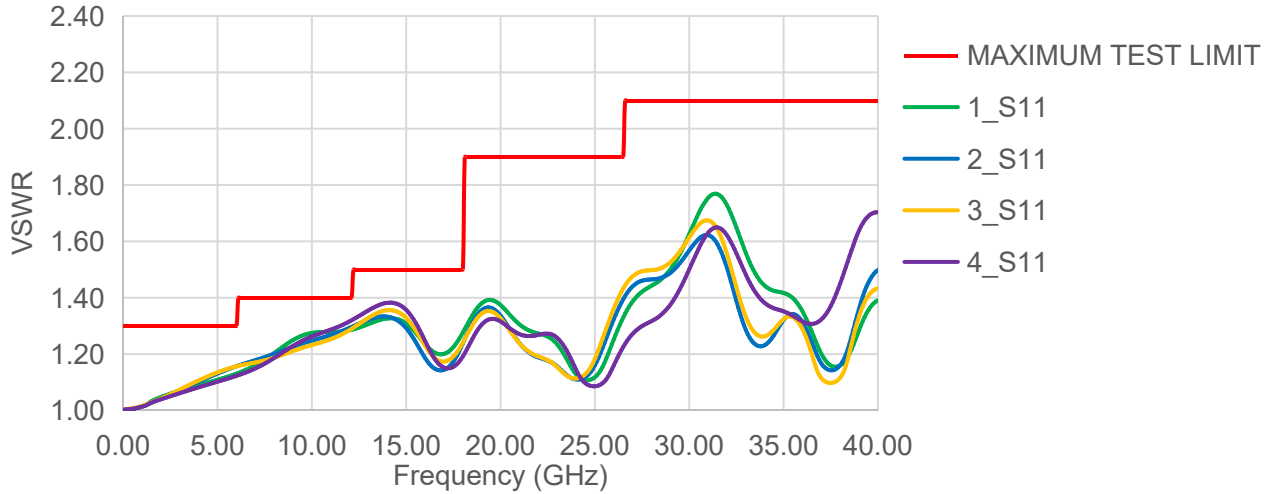
Part Number:

Part Number				Actuator voltage	Option
SP3T	SP4T	SP5T	SP6T		
GPSWSP3TOD29TI-12-40	GPSWSP4TOD29TI-12-40	GPSWSP5TOD29TI-12-40	GPSWSP6TOD29TI-12-40	12 V	-S(-55°C - +85°C)
GPSWSP3TOD29TI-24-40	GPSWSP4TOD29TI-24-40	GPSWSP5TOD29TI-24-40	GPSWSP6TOD29TI-24-40	24 V	
GPSWSP3TOD29TI-28-40	GPSWSP4TOD29TI-28-40	GPSWSP5TOD29TI-28-40	GPSWSP6TOD29TI-28-40	28 V	

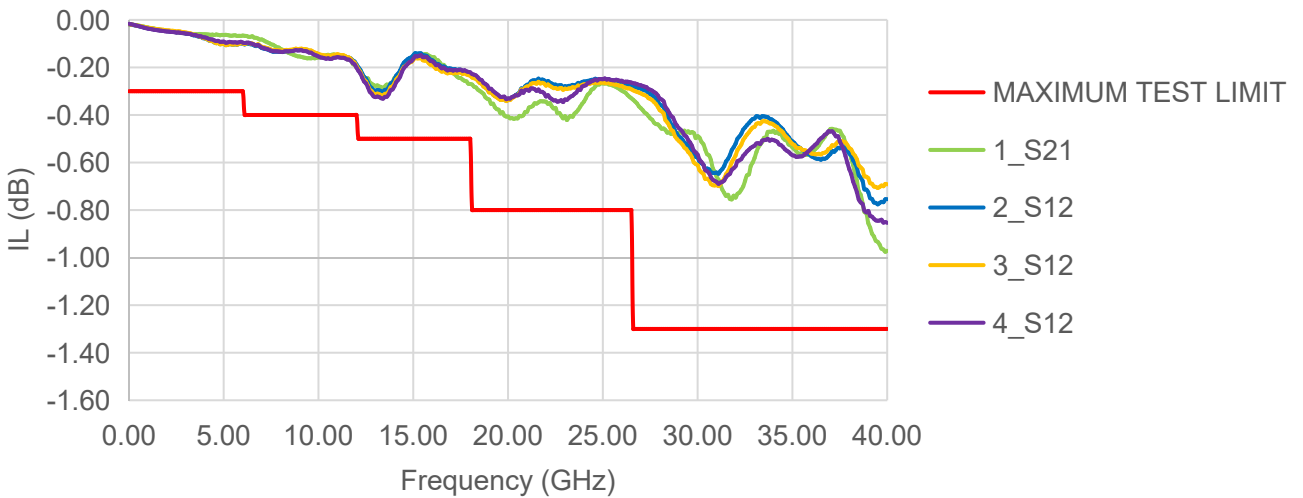


Typical Performance Data:

VSWR



INSERTION LOSS



ISOLATION

