



SP7T to SP8T Electromechanical Switch

Normally Open, DC to 26.5 GHz, 2.92mm, D-SUB

Electrical Characteristics:

Parameter	Value		
Frequency Range	DC-26.5 GHz		
RF Impedance	50 Ohms		
Operation Mode	Normally Open		
Switch Sequence	Break before make		
Switching time	15 ms Max		
Standard Actuator Life	2 million Min		
Actuator Voltage Available	12	24	28 V
Actuator current	290	150	130 mA



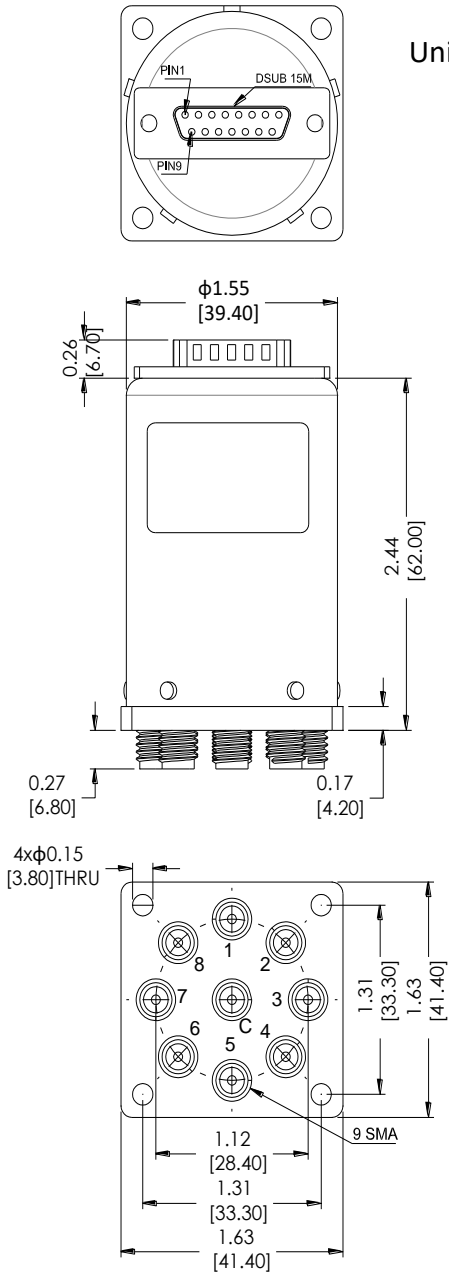
RF Specifications:

Frequency (GHz)	DC-4	4-8	8-12.4	12.4-18	18-26.5
Insertion Loss (dB max.)	0.2	0.3	0.4	0.6	0.8
Isolation (dB min.)	75	65	60	60	55
VSWR (max.)	1.2:1	1.3:1	1.4:1	1.6:1	1.8:1
RF Power CW (Watts max.)	100	70	60	45	10

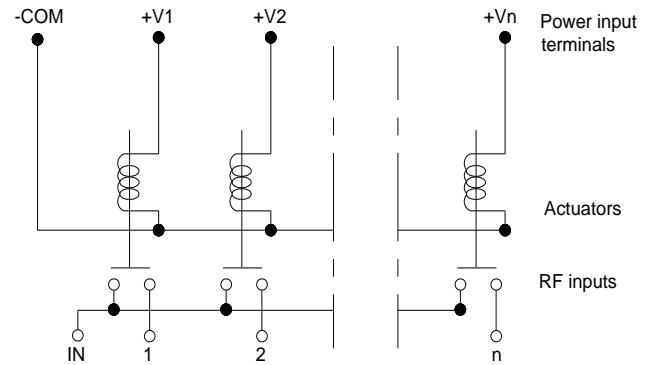
Environmental And Physical Characteristics:

Parameter	Value
Operating Temperature	-25°C to +65°C (Standard) -55°C - +85°C (Optional)
Vibration (operating)	10G RMS, 20-2000Hz
Shock (non operating)	50G, 1/2Sine, 12msec
Connector Type	2.92mm Female
Control Connector	D-SUB 15 PIN Male
Weight	220g Max

Outline Drawing:



Schematic:



Pin NO	15 PIN D-SUB		RF Connect Used	
	FUNCTION	SP7T	SP8T	
1	V1	1	1	
2	V2	2	2	
3	V3	3	3	
4	V4	4	4	
5	V5	5	5	
6	V6	6	6	
7	V7	7	7	
8	V8			8
9	-COM			
10	NC			
11	NC			
12	NC			
13	NC			
14	NC			
15	NC			

Part Number:

Part Number		Actuator voltage	Option
SP7T	SP8T		
GPSWSP7TOD29-12-26	GPSWSP8TOD29-12-26	12 V	-S(-55°C - +85°C)
GPSWSP7TOD29-24-26	GPSWSP8TOD29-24-26	24 V	
GPSWSP7TOD29-28-26	GPSWSP8TOD29-28-26	28 V	